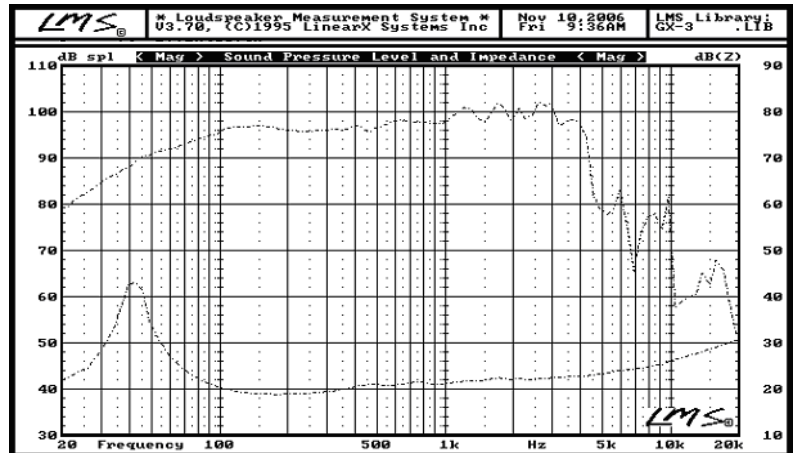


SPECIFICATIONS

Description	High power Mid-bass (copper ring)
Size (in)	15
Nominal Diameter (mm)	393
Standard Impedance (Ohm)	8
Power RMS (Watts)	400
Power Program (Watts)	800
Sensitivity 1w/1m (dB)	96
Frequency Range (Hz)	43-4000
Basket Material	Aluminium die-case
Cone Material	Paper
Spider Material	Cloth
Magnet Material	Ferrite
Magnet Weight (oz)	126
Voice Coil Material	Copper
Former Material	Kapton
Voice Coil Diameter (in.)	4

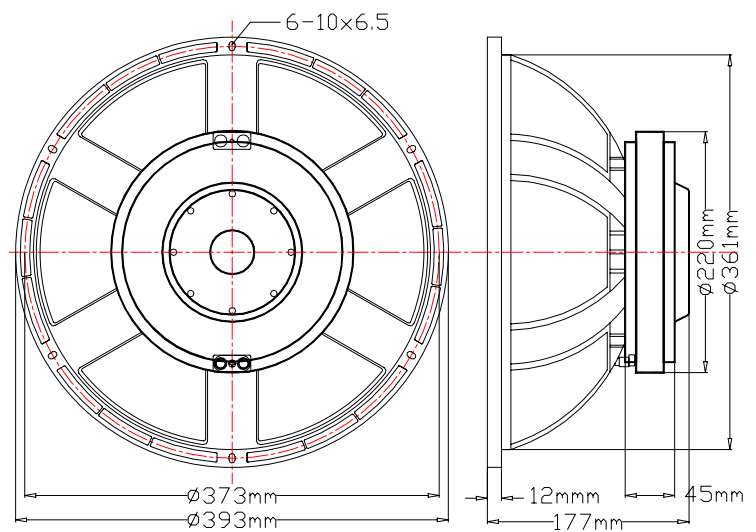


THIELE & SMALL PARAMETERS

Fs (Hz)	43
Re (Ohm)	6.4
Sd (sqmt)	0.0855
Qms	8.91
Qes	0.39
Qts	0.37
Vas (it)	178.1
Mms (gr)	80.35
Bl (T/m)	18.33
Xmax (mm)	2
Hvc (mm)	14
Hag (mm)	10

PACKING INFORMATION

Net Weight (kg)	10.6
Gross Weight (kg)	11.6
Pieces per carton	1
Dimensions (cm)	



TECHNICAL DATA ARE MEASURED WITH LMS – EQUIPMENT ACCORDING EN – 60268 –5.

FOR PRODUCT IMPROVEMENT FDCAUDIO RESERVES ALTERATIONS IN SPECIFICATIONS AND DESIGN WITHOUT FURTHER ANNOUNCEMENT FOR TOLERANCES OF TECHNICAL DATA REFER TO FDCAUDIO 'S MANUAL OF TECHNICAL DATA

FOR INFORMATION CONTACT: TEL.:+86-592-2076023,FAX.:+86-592-2033445,E-MAIL:mengqi@fdcaudio.com