



Notes:

300 mm fullrange

- cone: oil-coated paper
- dustcap: oil-coated paper
- edge: rubber
- gasket: foam
- voice coil:
- magnet: ferrit

Terminals:

- "+" 4.8 x 0.8 mm
- "-" 2.8 x 0.8 mm

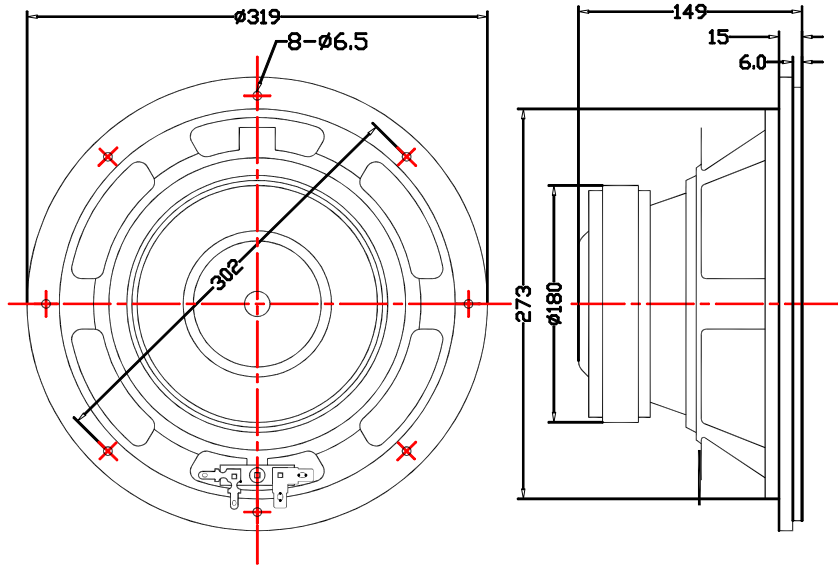
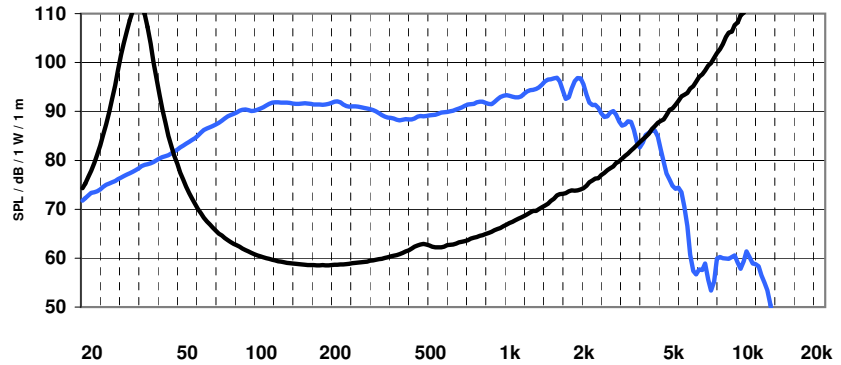
Technical data (EN):

- nom impedance 8 Ω
- nom. power 200 watts
- peak SPL 93 dB
- sensitivity 93 dB
- average SPL 91 dB
- res. frequency 32 Hz
- freq. Range (-10 dB):
- 57 to 4300 Hz
- Xmax +/- 4 mm
- total weight 7,35 kg
- magnet weight 84 oz
- voice coil Ø 75,5 mm

Thiele / Small parameter:

- Re 7,0 Ω
- Qms 2,14
- Qes 0,28
- Qts 0,3
- VAS 123 Liter
- Mms 68 g
- Rms 6,96 kg / s
- Cms 0,36 mm / N
- B * L 17,5 Tm
- Sd 491 cm²
- Le 1,1 mH

Frequenzgang / frequency response



Remarks:

300mm HiFi Subwoofer
long excursion and very low resonance frequency
for use in closed and vented enclosures

TECHNICAL DATA ARE MEASURED WITH LMS – EQUIPMENT ACCORDING EN – 60268 – 5
FOR PRODUCT IMPROVEMENT FDCAUDIO RESERVES ALTERATIONS IN SPECIFICATIONS AND DESIGN WITHOUT FURTHER
ANNOUNCEMENT FOR TOLERANCES OF TECHNICAL DATA REFER TO FDCAUDIO'S MANUAL OF TECHNICAL DATA
FOR INFORMATION CONTACT: TEL: +86-592-2076023 FAX: +86-592-2033445 E-MAIL: mengqi@fdcaudio.com