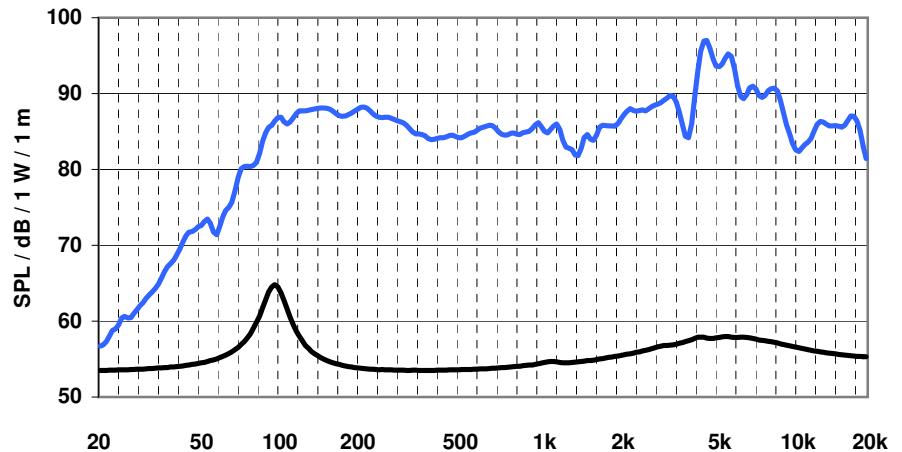




Frequenzgang / frequency response



Notes:

130 mm coaxial

cone:	black glas fibre
dustcap:	13 mm dome tweeter
edge:	rubber
gasket:	foam
voice coil:	kapton
magnet:	ferrit

Terminals:

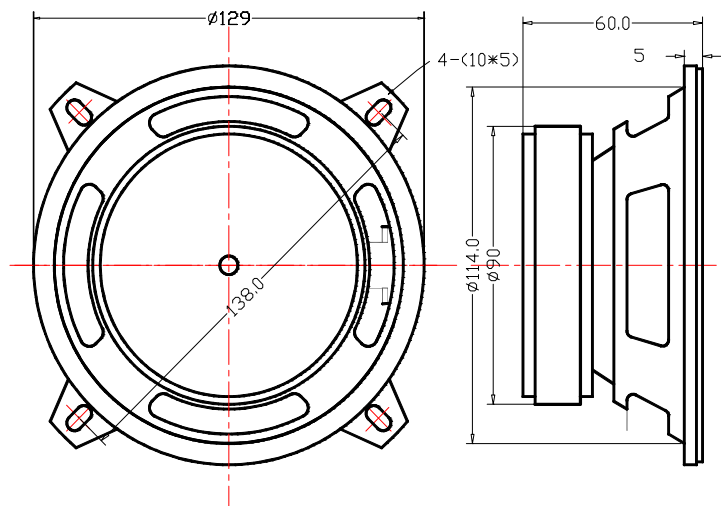
"+"	4.8 x 0.8 mm
"-"	2.8 x 0.8 mm

Technical data (EN):

nom impedance	4 Ω
nom. power	40 watts
peak SPL	97 dB
sensitivity	92 dB
average SPL	87 dB
res. frequency	90 Hz
freq. Range (-10 dB):	80 to 20000 Hz
Xmax +/-	2 mm
total weight	0,86 kg
magnet weight	13 oz
voice coil Ø	25 mm

Thiele / Small parameter:

Re	3,2 Ω
Qms	4,2
Qes	0,9
Qts	0,8
VAS	4,8 Liter
Mms	8,3 g
Rms	1,15 kg / s
Cms	0,42 mm / N
B * L	3,7 Tm
Sd	90 cm ²
Le	0,5 mH



Remarks:

130 mm hifi coaxial speaker
special black glas fibre cone and 13 mm dome tweeter
for use in all hifi applications, also car hifi systems

THCHNICAL DATA ARE MEASURED WITH LMS – EQUIPMENT ACCORDING EN – 60268 – 5
FOR PRODUCT IMPROVEMENT FDCAUDIO RESERVES ALTERATIONS IN SPECIFICATIONS AND DESIGN WITHOUT FURTHER
ANNOUNCEMENT FOR TOLERANCES OF TECHNICAL DATA REFER TO FDCAUDIO'S MANUAL OF TECHNICAL DATA
FOR INFORMATION CONTACT: TEL: +86-592-2076023 FAX: +86-592-2033445 E-MAIL: mengqi@fdcaudio.com