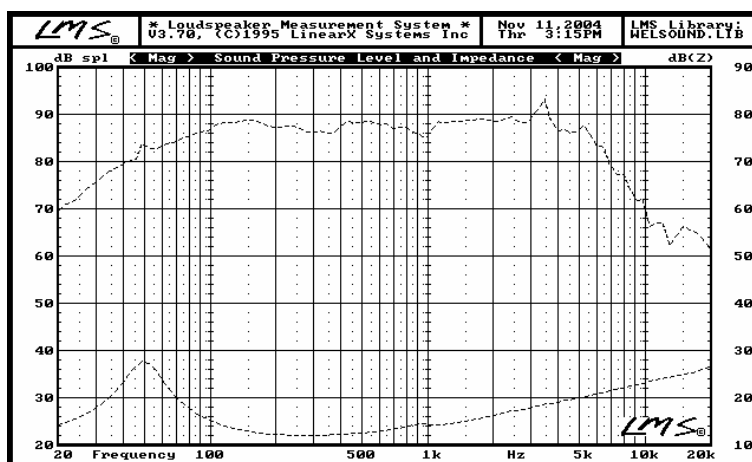


### SPECIFICATIONS

Description	Mid-range
Size (in)	6
Nominal Diameter (mm)	178
Standard Impedance (Ohm)	4
Power RMS (Watts)	30
Power Program (Watts)	50
Sensitivity 1w/1m (dB)	88
Frequency Range (Hz)	50-7,000
Basket Material	Stamped steel
Cone Material	Glass-fiber
Spider Material	Rubber
Magnet Material	Ferrite
Magnet Weight (oz)	16
Voice Coil Material	Copper
Former Material	kapton
Voice Coil Diameter (mm)	25

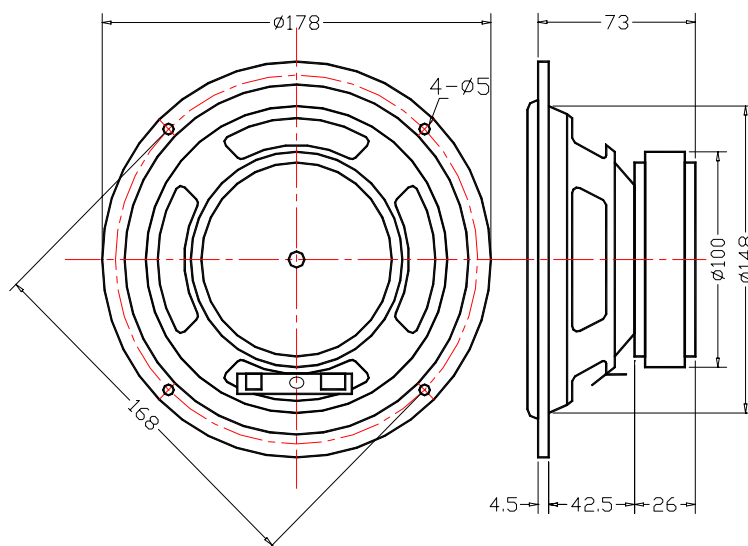


### THIELE & SMALL PARAMETERS

Fs (Hz)	50
Re (Ohm)	3.2
Sd (sqmt)	0.0143
Qms	6.02
Qes	0.45
Qts	0.39
Vas (it)	19.53
Mms (gr)	15.54
Bl (T/m)	5.83
Xmax (mm)	2
Hvc (mm)	9.8
Hag (mm)	6

### PACKING INFORMATION

Net Weight (kg)	1.25
Gross Weight (kg)	
Pieces per carton	
Dimensions (cm)	



TECHNICAL DATA ARE MEASURED WITH LMS - EQUIPMENT ACCORDING EN - 60268 -5.

FOR PRODUCT IMPROVEMENT FDCAUDIO RESERVES ALTERATIONS IN SPECIFICATIONS AND DESIGN WITHOUT FURTHER ANNOUNCEMENT FOR TOLERANCES OF TECHNICAL DATA REFER TO FDCAUDIO 'S MANUAL OF TECHNICAL DATA

FOR INFORMATION CONTACT: TEL.:+86-592-2076023,FAX.:+86-592-2033445,E-MAIL:mengqi@fdcaudio.com