

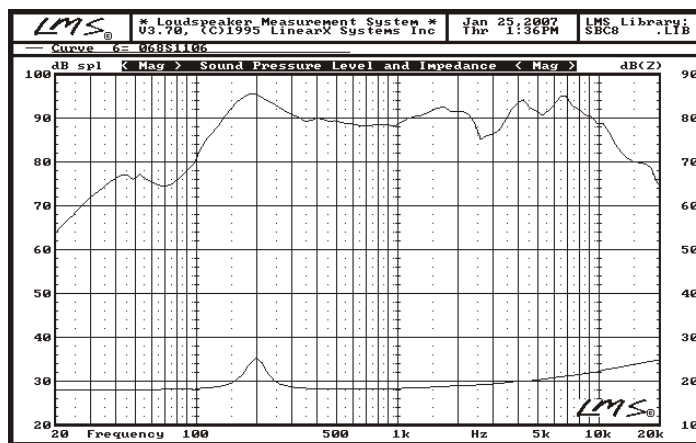
SPECIFICATIONS

Description	Full Range Speaker
Size (in)	5x3
Nominal Diameter (mm)	200
Standard Impedance (Ohm)	8
Power RMS (Watts)	5
Power Program (Watts)	10
Sensitivity 1w/1m (dB)	88
Frequency Range (Hz)	200-12000
Basket Material	Stamped steel
Cone Material	Paper
Spider Material	Paper
Magnet Material	Ferrite
Magnet Weight (oz)	1.35/0.65
Voice Coil Material	Lock
Former Materia	Aluminum
Voice Coil Diameter (mm)	14.28



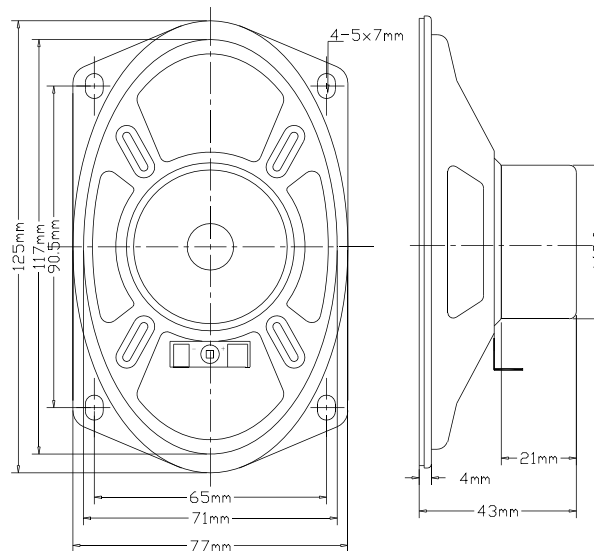
THIELE & SMALL PARMETERS

Fs (Hz)	200
Re (Ohm)	7.6
Sd (sqmt)	/
Qms	/
Qes	/
Qts	/
Vas (it)	/
Mms (gr)	/
Bl (T/m)	/
Xmax (mm)	0.2
Hvc (mm)	3.4
Hag (mm)	3.0



PACKING INFORMATION

Net Weight (kg)	0.184
Gross Weight (kg)	
Pieces per carton	
Dimensions (cm)	



TECHNICAL DATA ARE MEASURED WITH LMS-EQUIPMENT ACCORDING EN-60268-5.

FOR PRODUCT IMPROVEMENT FDCAUDIO RESERVES ALTERATIONS IN SPECIFICATIONS AND DESIGN WITHOUT FURTHER ANNOUNCEMENT FOR TOLERANCES OF TECHNICAL DATA REFER TO FDCAUDIO'S MANUAL OF TECHNICAL DATA

FOR INFORMATION CONTACT: TEL.: +86-592-2076023, FAX.: +86-592-2033445, E-MAIL: mengqi@fdcaudio.com